

Low Profile Single Point Load Cell

3 kg...35 kg Type N/C3/C3MR



MP 50

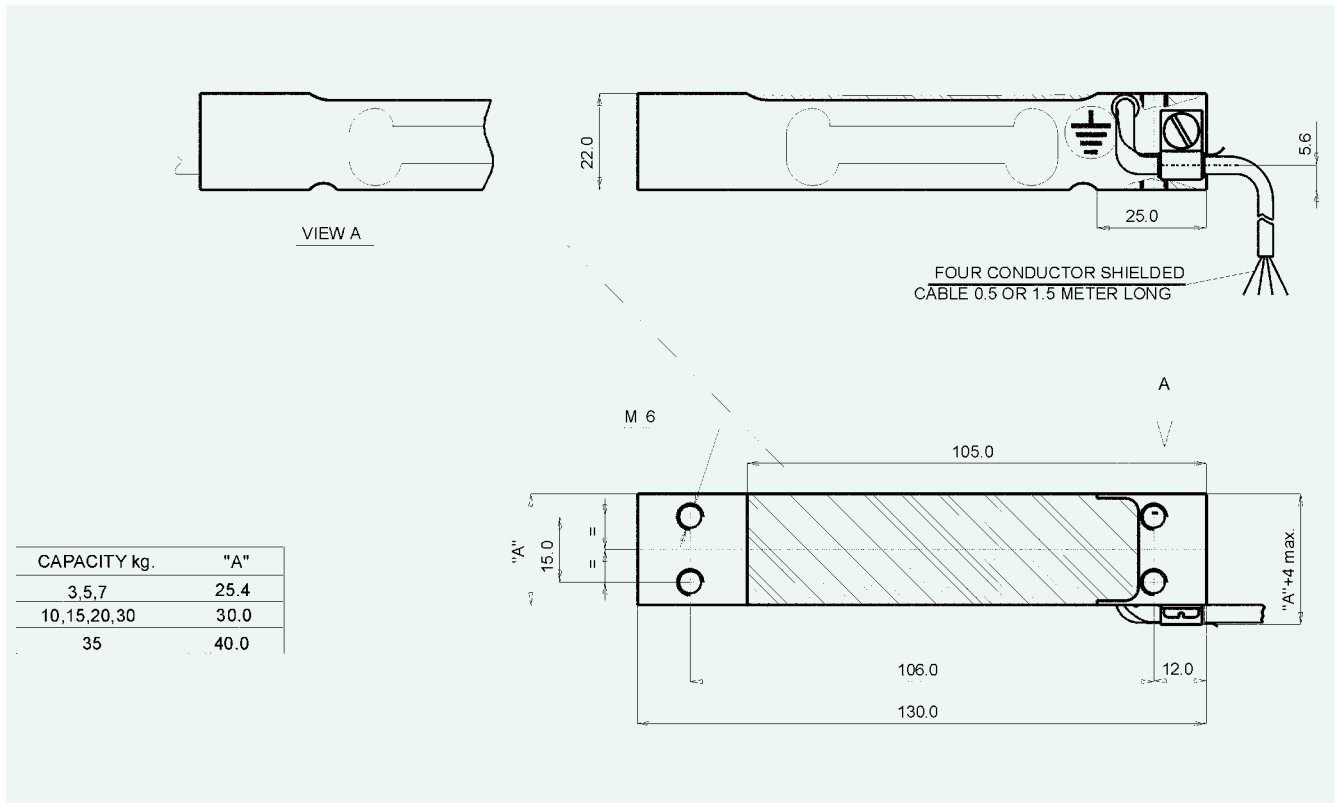
- Aluminium alloy construction
- Compatible with other sources
- Low profile type
- Single point 350x350 platform
- Approved to OIML R60

APPLICATIONS

- Bench scales
- Counting scales
- Check weighing systems

Technical Data		N	C3	C3MR	
Accuracy class		0.03	0.02	0.02	% E_{max}
Maximum capacity	E_{max}		s. table		
Max. usable load	E_u		150		% E_{max}
Destructive load	E_d		300		% E_{max}
Minimum LC verification interval $v_{min}=E_{max}/Y$	Y	-	6,000	12,000	
Rated output	C_n		2		mV/V
Tolerance on rated output	d_c		10		% C_n
Zero output signal	S_{min}		10		% C_n
Creep, during 30 min	d_{cr}	0.025	0.0167	0.0167	% C_n
Temperature effect on S_{min}	TK_{Smin}	0.06	0.023	0.0116	% $C_n/10K$
Temperature effect on C	TK_C	0.014	0.01	0.01	% $C_n/10K$
Input impedance	R_{LC}	415 ± 15	415 ± 15	415 ± 15	Ω
Output impedance	R_o	350 ± 3	350 ± 3	350 ± 3	Ω
Insulation impedance	R_{IS}	>2,000	>2,000	>2,000	MΩ
Recommended supply voltage	B_u	10	10	10	V
Max. supply voltage	U_{max}	15	15	15	V
Nominal ambient temp. range	B_T	-10 to +40	-10 to +40	-10 to +40	°C
Usable ambient temp. range	B_{Tu}	-30 to +70	-30 to +70	-30 to +70	°C
Nominal deflection	S_{nom}	≤0.4	≤0.4	≤0.4	mm
Cable length		0.5	0.5	1.5	m
Environmental protection		IP66	IP66	IP66	

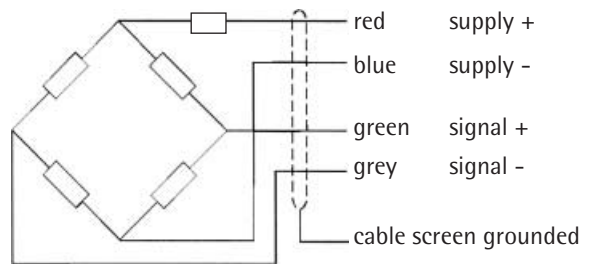




Dimensions all in mm

Type and Order Code

MP 50/3 kg N	MP 50/3 kg C3	MP 50/3 kg C3MR
MP 50/5 kg N	MP 50/5 kg C3	MP 50/5 kg C3MR
MP 50/7 kg N	MP 50/7 kg C3	MP 50/7 kg C3MR
MP 50/10 kg N	MP 50/10 kg C3	MP 50/10 kg C3MR
MP 50/15 kg N	MP 50/15 kg C3	MP 50/15 kg C3MR
MP 50/20 kg N	MP 50/20 kg C3	MP 50/20 kg C3MR
MP 50/30 kg N	MP 50/30 kg C3	MP 50/30 kg C3MR
MP 50/35 kg N	MP 50/35 kg C3	MP 50/35 kg C3MR



The technical data given here serve only as a product description and must not be interpreted as guaranteed characteristics in the legal sense.